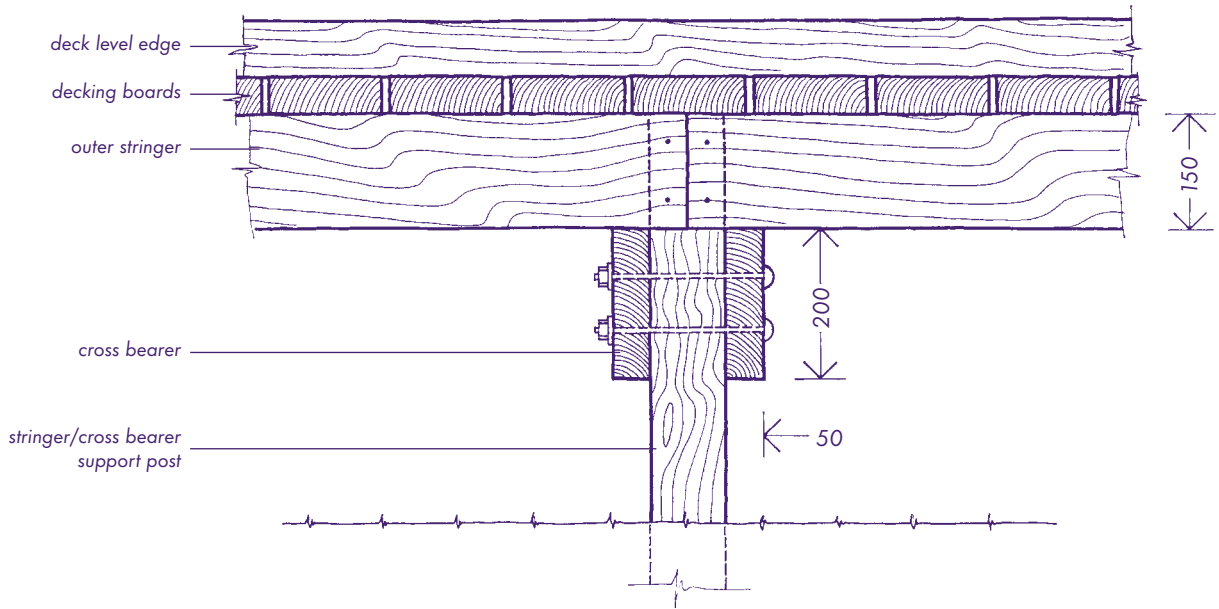
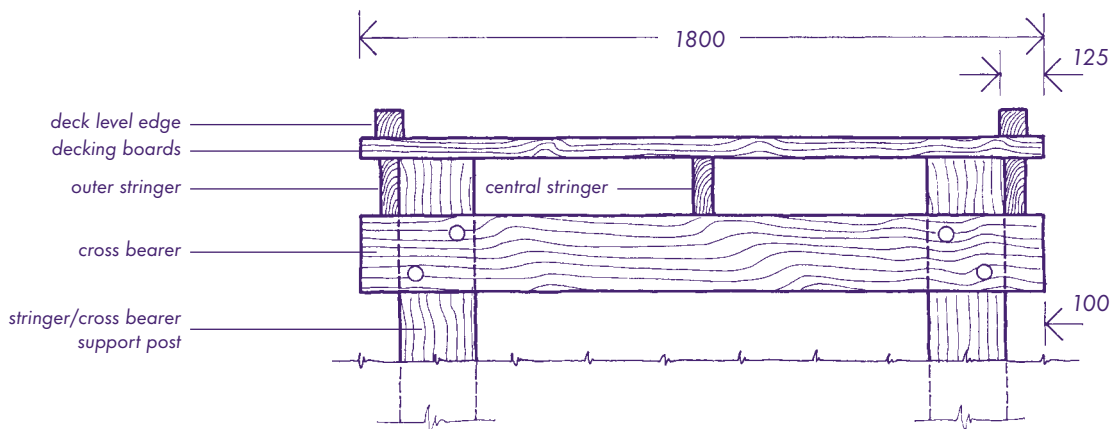




6.4A Side Elevation
Scale 1:10
0 500mm



6.4B Section
Scale 1:20
0 1000mm



Boardwalk Purpose

Reducing Visitor Pressure on Sensitive Habitats	Providing Visitor Access across Water & Wetlands	Suitability for Use by Able-Bodied People	Suitability for Use by People with Mobility Difficulties	Suitability for Wheelchair Users
✓	✓	☺	☹	☹



Information Sheet **No.6.4** **Raised Boardwalk (Wide Design)**

(Page 2 of 2)

• **Notes**

A wide design of boardwalk suitable for wetlands, marshes and other situations where the decking needs to be raised above ground level.

For reasons of safety, it should be fitted with deck level edge rails, especially if it is accessible to wheelchair users. Unfortunately, this design cannot readily accommodate the incorporation of raised edge rails or handrails.

Information Sheets 6.2 and 6.3 incorporate a maximum deck width of 1600. This design is suitable for situations where a wider or more robust boardwalk is required. The maximum deck width is 2000, providing an accessible clear width of approximately 1770 between deck level edge rails: this is sufficient to accommodate two-way traffic by wheelchair users.

The use of timber impregnated with wood preservatives should be avoided on wetland sites of conservation importance due to the leaching of copper, arsenic or other harmful chemicals.

• **Construction and Installation Details**

Decking Boards : 1800 - 2000 x 150 x 50 with a 12 gap between boards.

Outer Stringers : 2 no. 3600 x 150 x 50 stringers per boardwalk width. Butt jointed at alternate stringer/cross bearer support posts. Nailed to stringer/cross bearer support posts.

Central Stringer : 1 no. 3800 x 150 x 50 stringer per boardwalk width. 100 overlap at alternate stringer/cross bearer support posts and nailed to cross bearers.

Cross Bearers : 2 no. 1800 - 2000 x 200 x 50 per pair of support posts.

Stringer/Cross Bearer Support Posts : 2 no. 200 x 100 x required length, at 1800 centres (max.), sunk to a minimum depth of 600.

Cross bearers fixed to support posts with 4 no. 225 x M12 coach bolts.

Outer stringers fixed to support posts and central stringer to cross bearers with 100mm galvanised flat headed nails.

Decking boards fixed to stringers with 100mm galvanised annular ring shank flat headed nails (4 no. per board).

Deck Level Edge : 75 x 75 rails fixed to decking with 100mm M10 galvanised coach screws countersunk. Edging should be set 50 in from edge to prevent decking boards from splitting.

• **Design Source and Contacts for Further Information**

Design Source : Adapted from a design installed at Bolam Lake Country Park, Northumberland by the Countryside Service, Environment Directorate, Northumberland County Council, County Hall, Morpeth, Northumberland. NE61 2EF. Tel. 01670 533000.

• **User Notes : Design Modifications and Reference Information**

